

Cautions



ELECTRICAL HAZARD: Disconnect power from equipment prior to making any internal adjustments. Service should only be performed by qualified personnel.

FRAGILE: Inspect the equipment prior to installation. Do not install the equipment if damage is apparent. Do not attempt to disassemble this equipment. If damaged, return to the supplier.

ELECTROSTATIC HAZARD: This is sensitive electronic equipment. Apply safe ant-static practices when handling this equipment.

CIRCUIT LIMITATIONS: The maximum number of devices connected to a single alarm zone is limited by the control and indicating equipment, and may be limited by local regulations.

Introduction

460 manual call points connect to non-addressable fire detection control and indicating equipment, or to addressable fire detection control and indicating equipment that can accept non-addressable devices¹.

These instructions provide trained installation personnel with details to install and commission 460 manual call points for optimum performance.

Preparation

Before commencing installation, ensure all equipment and tools to mount and connect the equipment are available, such as drills, mounting screws, cables and ladders.

NOTE: The unit comes separated from the back-box, ready for installation. However, if necessary, separate the front face from the body by inserting the reset key and gently pulling the lower portion of the front face down and away from the body. Removing the operating element will expose the screws that hold the body to the back-box (see Figs. 3 ~ 5).

Installation

Back-box

1. Feed the conductors through the rear of the back-box.
2. Securely mount the back-box to the wall surface using fixing screws and wall plugs. Fig. 1 shows the back-box mounting hole dimensions.

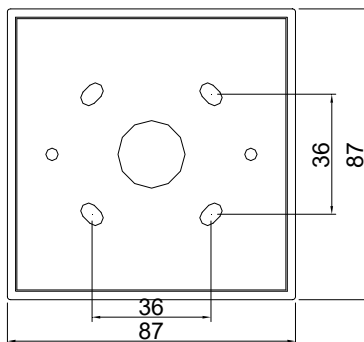


Fig. 1: Back-box dimensions

NOTE: Where the 460-009 weather proof enclosure accessory is used, the back-box is not used.

Wiring

The terminals accept (0.4 ~ 2.5) mm² conductors.

1. Strip the conductor insulation to expose 5 mm of the conductor.
2. Connect the conductors to the terminals as shown in Fig. 2.

WARNING: Take care to ensure the insulation does not get clamped by the terminal contact.

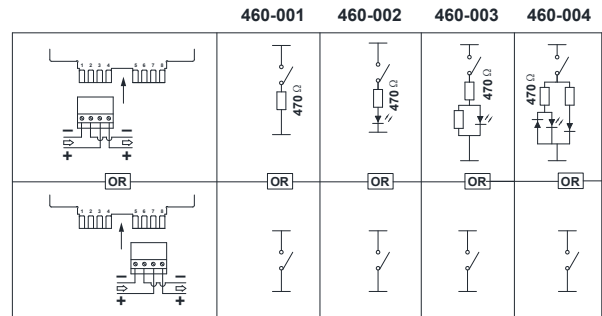


Fig. 2a: 460-001 to 460-004 wiring connections

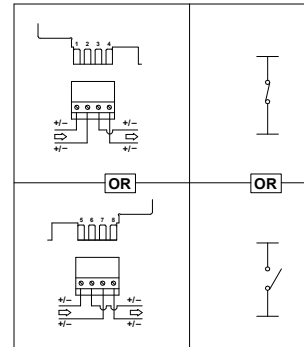


Fig. 2b: 460-005 wiring connections

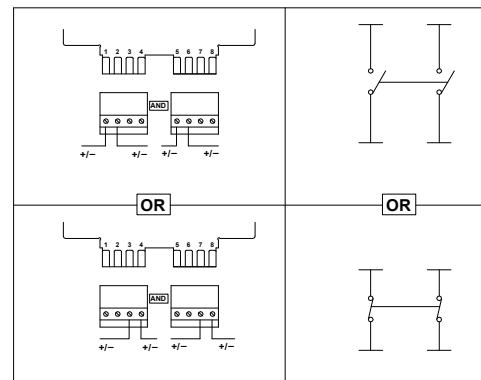


Fig. 2c: 460-006 wiring connections

3. Check the wiring for continuity, short circuits and earth faults.

Assembly

1. Separate the front face from the body by inserting the reset key and gently pulling the lower portion of the front face down from the body (see Fig. 3).

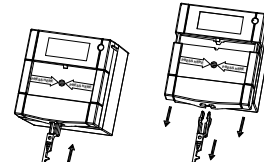


Fig. 3: Separate the front face from the body

2. Remove the operating element (see Fig. 4).

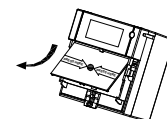


Fig. 4: Operating element

¹ May be used with the 620-002 contact monitor module.

- Screw the body to the back-box with the CS3 x 30 screws supplied (see Fig. 5).

NOTE: Where the 460-009 weather proof enclosure accessory is used, the body is screwed to the metal mounting bracket in the weather proof enclosure.

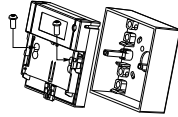


Fig. 5: Body and back-box fixing screws

- Replace the operating element (see Fig. 6)

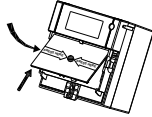


Fig. 6: Replacing the operating element

- Clip the front face onto the body (see Fig. 7).

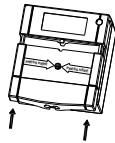


Fig. 7: Replacing the front face

- If necessary, set the displacement element to the normal position using the key supplied.

Commissioning

Manual Call Point

- Ensure all the alarm signal services, releasing devices and extinguisher systems are disabled during the commissioning period.
- Connect power to the manual call point.
- Operate the displacement element with finger pressure.
- Check that an alarm condition occurs at the control and indicating equipment.
- For 460-002 and 460-003 models, check that the red alarm LED indicator illuminates.
- Reset the manual call point displacement element to the normal position using the key supplied.
- Reset the control and indicating equipment.

Final Conditions

Ensure all the alarm signal services, releasing devices and extinguisher systems disabled for the commissioning are returned to their previous condition.

References

Document	Description
31-0022	460 non-addressable manual call points datasheet

View the complete range of products at www.numens.com

