

# 5" SURFACE LOUDSPEAKER

## DS-60TN

Ref: 590.003.005

**EN 54 -24**

The Johnson Controls EN 54-24 surface speaker with metal housing and 5" for 70/100V lines both for music and high quality voice applications. It is designed for surface installation, both for ceilings and walls.

The DS-60TN surface speaker includes a metal cabinet that protects it from fire and vandalism. It incorporates a ceramic terminal and insulation fuse so any possible damage to the unit does not cause a general failure of the speaker circuit to which it is connected. These features ensure the integrity and intelligibility of the system to be maintained in the event of evacuation.



### Features:

- Surface Speaker for Voice Evacuation
- Metal cabinet
- Protected against fire. EN 54-24 certified
- Ideal for music and voice messages
- Easy installation

### Technical specifications:

Model	DS-60TN			
Speaker diameter	5"			
Maximum Power	9 W			
Nominal Power	6 Wrms			
Connection @ 100 V	6 W / 3 W / 1.5 W / 0.75 W			
Connection @ 70 V	3 W / 1.5 W / 0.75 W / 0.375 W			
SPL (Pmax / 1m)	98,8 dB			
SPL (1W / 1m)	91 dB +/- 3dB			
SPL (1W / 4m)	79 dB			
Frequency Response (- 10 dB)	300 Hz - 15 KHz			
Dispersion (-6 dB )	500Hz	1000 Hz	2000 Hz	4000Hz
	180°	180°	100°H 90V	50°H 90°V
Nominal voltage	100 V / 70 V			
Nominal impedance	1.7 kΩ / 3.3 KΩ / 6.7kΩ / 13kΩ			
Connection	Ceramic terminal. Max Section 2.5mm <sup>2</sup>			
Thermal fusion	150°			
Dimensions	170 x 170 x 63 mm			
Colour	White (RAL 9016 )			
IP protection	IP21C			
Net weight	1.5 Kg			
Gross weight	1.58 Kg			
Packaging Dimensions	80 x 185 x 185 mm			

# 5" SURFACE LOUDSPEAKER

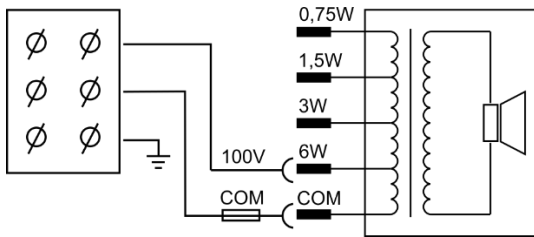
## DS-60TN

Ref: 590.003.005

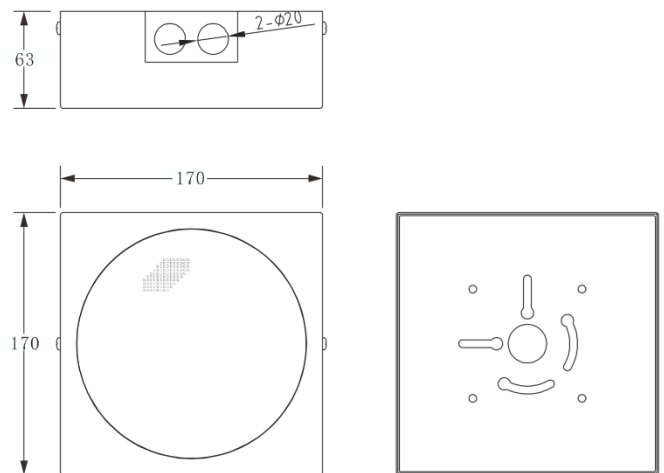
**EN 54 -24**

- The reference axis is perpendicular to the center point of the grid
- The reference plane is perpendicular to the center of the reference axis
- The horizontal plane is perpendicular to the center of the reference plane
- Acoustic measurement environment used: Standard acoustic screen in anechoic chamber

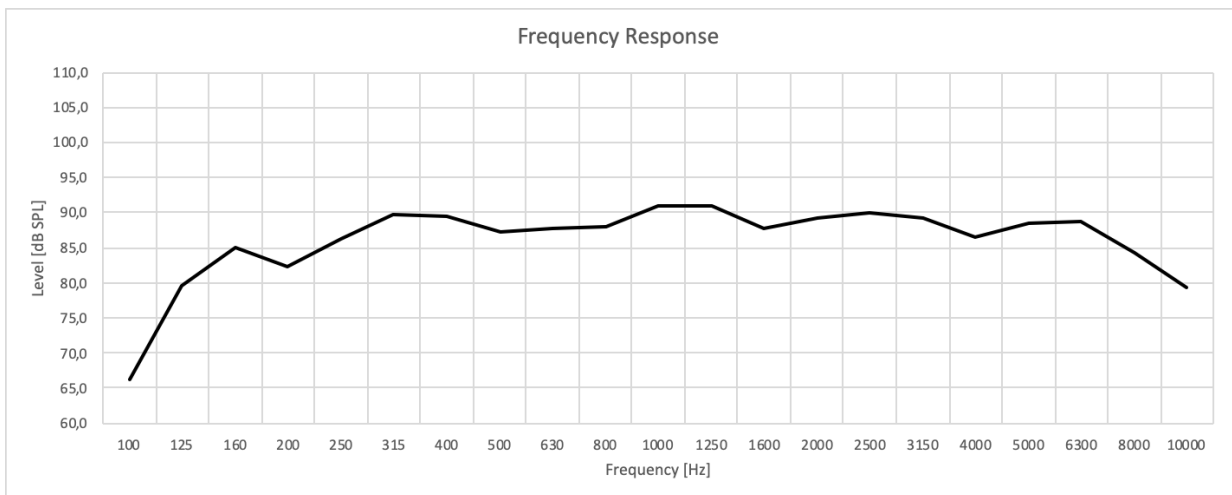
### Conection diagram:



### Main mechanical views:



### Frequency responde:



### Installation:

- Attach the unit to the surface where it is designed to be installed and select the desired operating tap power
- If necessary, remove one or both of the plugs that give access to the inside of the unit to enter the 100V cables.
- If the connection is through the upper holes provided, protect the cable using a PG-13.5 hose and cable gland or conduit pipe (not supplied).
- Close the unit using the two side screws