

# 3" CEILING LOUDSPEAKER

## **CH-32TN**

Ref: 590.003.001

**EN 54 -24**

The Johnson Controls EN54-24 ceiling speaker with metal housing and 3" for 70/100V lines of high quality for speech and background music. Thanks to the reduced dimensions, it can be installed in limited depth false ceilings.

The CH-32TN speaker comes with a fire dome. It is equipped with ceramic terminals and an isolation fuse to avoid that any damage in the unit could cause a general failure in the speaker line which is connected. These characteristics allow us to maintain the integrity and intelligibility of the system in case of evacuation.

### Features:

- EN54-24 certified ceiling speaker
- Fire Dome
- Excellent for music and speech.
- Easy installation through included springs.



### Technical specifications:

| Model                         | CH-32TN                               |         |         |             |
|-------------------------------|---------------------------------------|---------|---------|-------------|
| Speaker diameter              | 3"                                    |         |         |             |
| Max power                     | 9 W                                   |         |         |             |
| Nominal power                 | 6 W rms                               |         |         |             |
| Connection @ 100 V            | 6 W / 3 W / 1.5 W / 0.75 W            |         |         |             |
| Connection @ 70 V             | 3 W / 1.5 W / 0.75 W / 0.375 W        |         |         |             |
| SPL (Pmax / 1m)               | 91,8 dB                               |         |         |             |
| SPL (1W / 1m)                 | 84 dB +/-3dB                          |         |         |             |
| SPL (1W / 4m)                 | 72 dB                                 |         |         |             |
| Frequency response (- 10 dB ) | 100 Hz - 20 KHz                       |         |         |             |
| Dispersion ( -6 dB )          | 500Hz                                 | 1000 Hz | 2000 Hz | 4000Hz      |
|                               | 180°                                  | 180°    | 180°    | 140°H 160°V |
| Nominal voltage               | 100 V / 70 V                          |         |         |             |
| Nominal impedance             | 1.7 kΩ / 3.3 KΩ / 6.7kΩ / 13kΩ        |         |         |             |
| Connection                    | Ceramic terminal. Max section: 2.5mm2 |         |         |             |
| Thermal Fuse                  | 150°                                  |         |         |             |
| Dimensions                    | Φ 105 mm x 90 mm                      |         |         |             |
| Instalation drill             | Φ 90 mm                               |         |         |             |
| Colour                        | White (RAL 9016 ) / Red ( RAL 3000)   |         |         |             |
| IP protection grade           | IP44                                  |         |         |             |
| Net weight                    | 0.5 Kg                                |         |         |             |
| Gross weight                  | 0.65 Kg                               |         |         |             |
| Packaging dimensions          | 125x125x130mm                         |         |         |             |

# 3" CEILING LOUDSPEAKER

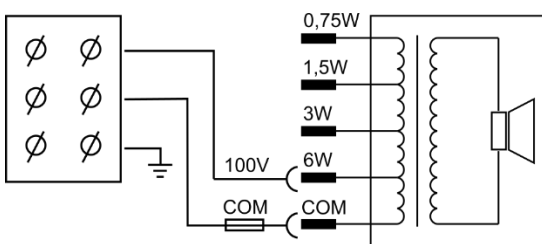
## CH-32TN

Ref: 590.003.001

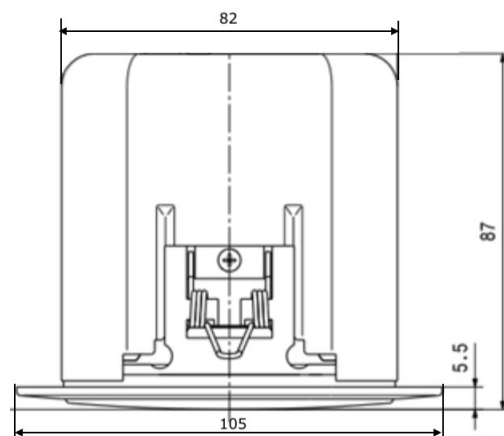
**EN 54 -24**

- The reference axis is perpendicular to the central point of the grid.
- The reference plane is perpendicular to the center of the reference axis.
- The horizontal plane is perpendicular to the central point of the reference plane.
- Acoustic environment employed: Normalized acoustic screen in anechoic chamber

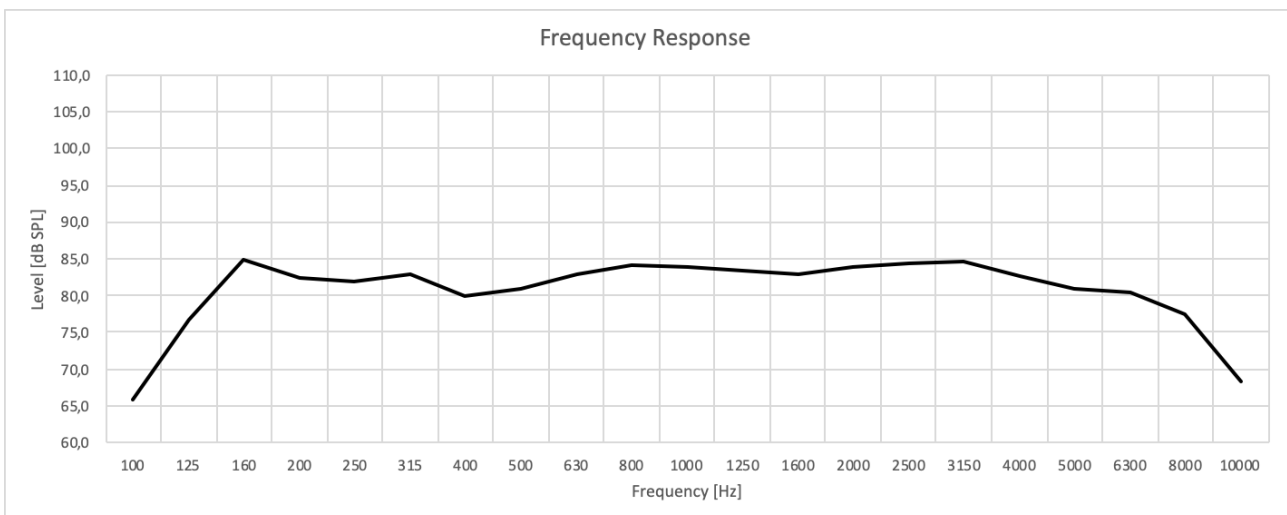
### Circuit diagram:



### Main mechanical views:



### Frequency response:



- Cut a hole in the false ceiling with the proper diameter.
- Make the connection and select the derired tapping power. Protect the installation wire using a PG-13,5 cable guide or a channeling tube (not included with the unit).
- Lock the cover using the provided screws. Then, compress the anchor springs towards the top side and introduce the unit in the hole made.